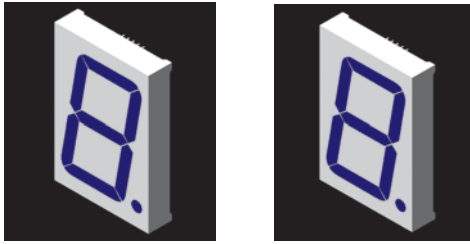


# LED Displays ~ Seven Segment ~ Numeric



## Single Digit



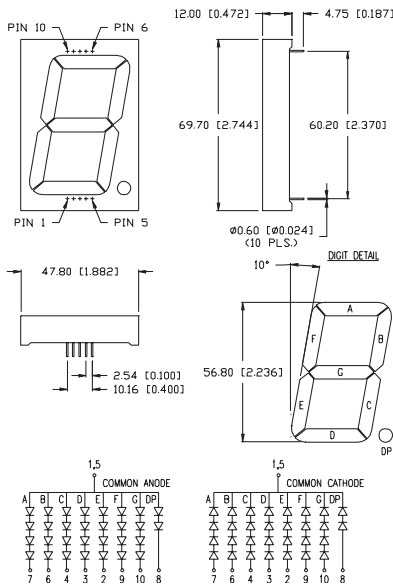
### Features/Options

- ▶ Standard and high brightness chips
- ▶ Intensity grading available
- ▶ Custom sizes at minimal tooling
- ▶ Face and segment off colors in grey and milky white

### Applications/Uses

- ▶ Test instruments
- ▶ Diagnostic equipment
- ▶ Instrument and control panels
- ▶ Monitoring displays

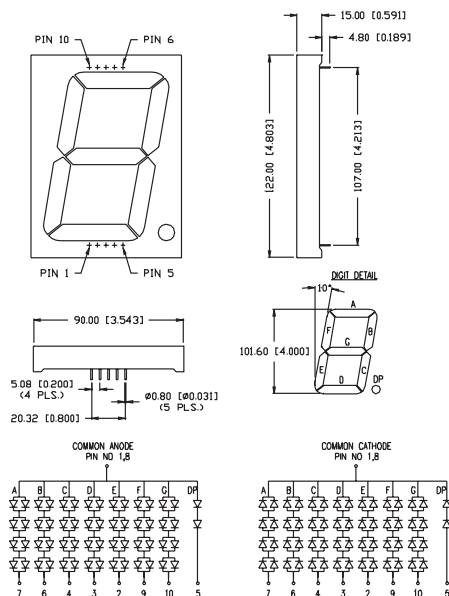
## 2.3" single digit



Part Number	Wave Length (nm)	Brightness (μcd) @ 10mA	Vf (typ) 10mA*	Vf (max) 10mA*	Emitted Color	Polarity (common)
LDS-AD12RI	565	2500	8.8 / 4.4	10.4 / 5.2	Green	Anode
LDS-AD14RI	635	2500	8.0 / 4.0	10.0 / 5.0	Red	Anode
LDS-AD16RI	660	8000	6.8 / 3.4	8.8 / 4.4	Red	Anode
LDS-AD12RI-SUG	574	7000	8.8 / 4.4	10.4 / 5.2	Green	Anode
LDS-AD14RI-SI	636	15,000	8.0 / 4.0	10.4 / 5.2	Red	Anode
LDS-AD17RI-USB	470	6000	14.0 / 7.0	16.0 / 8.0	Blue	Anode
LDS-CD12RI	565	2500	8.8 / 4.4	10.4 / 5.2	Green	Cathode
LDS-CD14RI	635	2500	8.0 / 4.0	10.0 / 5.0	Red	Cathode
LDS-CD16RI	660	8000	6.8 / 3.4	8.8 / 4.4	Red	Cathode
LDS-CD12RI-SUG	574	7000	8.8 / 4.4	10.4 / 5.2	Green	Cathode
LDS-CD14RI-SI	636	15,000	8.0 / 4.0	10.4 / 5.2	Red	Cathode
LDS-CD17RI-USB	470	6000	14.0 / 7.0	16.0 / 8.0	Blue	Cathode

\* Second value for dual chips in decimal point

## 4.0" single digit



Part Number	Wave Length (nm)	Brightness (μcd) @ 10mA	Vf (typ) 10mA*	Vf (max) 10mA*	Emitted Color	Polarity (common)
LDS-AA402RI	565	2500	8.8 / 4.4	10.4 / 5.2	Green	Anode
LDS-AA404RI	635	2500	8.0 / 4.0	10.0 / 5.0	Red	Anode
LDS-AA406RI	660	8000	6.8 / 3.4	8.8 / 4.4	Red	Anode
LDS-AA402RI-SUG	574	7000	8.8 / 4.4	10.4 / 5.2	Green	Anode
LDS-AA404RI-SI	636	15,000	8.0 / 4.0	10.4 / 5.2	Red	Anode
LDS-AA407RI-USB	470	6000	14.0 / 7.0	16.0 / 8.0	Blue	Anode
LDS-CA402RI	565	2500	8.8 / 4.4	10.4 / 5.2	Green	Cathode
LDS-CA404RI	635	2500	8.0 / 4.0	10.0 / 5.0	Red	Cathode
LDS-CA406RI	660	8000	6.8 / 3.4	8.8 / 4.4	Red	Cathode
LDS-CA402RI-SUG	574	7000	8.8 / 4.4	10.4 / 5.2	Green	Cathode
LDS-CA404RI-SI	636	15,000	8.0 / 4.0	10.4 / 5.2	Red	Cathode
LDS-CA407RI-USB	470	6000	14.0 / 7.0	16.0 / 8.0	Blue	Cathode

\* Second value for dual chips in decimal point



USA/Canada +1-800-278-5666  
Europe +49-6081-964380  
Asia +886-3-5821124



[www.lumex.com](http://www.lumex.com)



USA/Canada +1-847-359-8904  
Europe +49-6081-964381  
Asia +886-3-5821154

- 1
- 2
- 3
- 4
- 5
- 6
- 7
- 8
- 9
- 10
- 11
- 12
- 13
- 14
- 15
- 16
- 17
- 18
- 19
- 20
- 21
- 22
- 23
- 24
- 25
- 26
- 27
- 28
- 29